

ASCO™ Gas Vent Valves

Pilot Operated | 3/8" - 3" NPT

2/2
SERIES
S262

Features

- 2-way normally open operation
- Die-cast aluminum bodies
- Zero differential piloted diaphragm
- Valves provided with 1/8" NPT pipe taps with plug for routine testing
- Broad ambient temperature range -20° F up to 170° F

Fluid

Fuel Gas

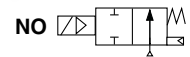
Construction

Valve Parts in Contact with Fluids	
Body	Aluminum
Seals and Disc	NBR
Core Tube	305 Stainless Steel
Core and Plugnut	430F Stainless Steel
Core Guide	Acetal
Springs	302F Stainless Steel
Shading Coil	Copper
Pipe Plug	Zinc-Plated Steel

Electrical

Standard Coil and Class of Insulation	Watt Rating and Power Consumption			Ambient Temp. °F	Spare Coil Family
	AC				Explosionproof
	Watts	VA Holding	VA Inrush		AC
F	10.5	26	66	-20 to 167 (-29 to 75)	529027
F	15.4	34	162	-20 to 170 (-29 to 77)	529029
F	28.2	55	451	-20 to 170 (-29 to 77)	529031

Standard Voltages: 120 volts, AC 60 Hz
Optional Voltages: 24, 240 volts AC, 60 Hz
 S262 catalog number includes codification for voltage. However voltage must be specified when ordering spare coil.



Solenoid Enclosures

Standard: Type 1 General Purpose Junction Box Housing with two 7/8" knock-outs.

Valve Response Time

Opening Time: Less than 1 second

Closing Time: Less than 1 second

Close-off Pressure

50 psi (3.5 bar) maximum

Approvals

UL listed to standard 429 "Electrically Operated Valves," Guide Y10Z, File MP932 General Purpose Valves.

FM Approved to Class 7400 "Liquid and Gas Safety Shutoff Valves"

CSA Certified to Automatic Gas Valves ANSI Z21.21, CSA 6.5 (meets standard C22.2 No. 139 "Electrically Operated Valves"), File 112872

COMBUSTION

Specifications English units (Metric)

Pipe Size in	Orifice Size in (mm)	Flow Factor Cv (Kv)	Gas Capacity ①	Operating Pressure Differential psi (bar)		Max. Fluid Temp. °F (°C)	Catalog Number			Const. Ref.	Agency			Approx. Shipping Weight lbs (kgs)	
				Min.	Max.		24/60	120/60	240/60		UL	FM	CSA		Wattage
COMBUSTION (Fuel Gas) - NORMALLY OPEN															
3/8"	3/4" (19)	3.5 (3.0)	191,000	0	30 (2.1)	140 (60)	S262SH01N3CG5	S262SH02N3CG5	S262SH04N3CG5	1	●	●	●	10.5	1.5 (0.7)
1/2"	3/4" (19)	4.0 (3.5)	210,300	0	30 (2.1)	140 (60)	S262SH01N3DG5	S262SH02N3DG5	S262SH04N3DG5	1	●	●	●	10.5	1.5 (0.7)
3/4"	3/4" (19)	4.7 (4.1)	252,000	0	30 (2.1)	140 (60)	S262SH01N3EG5	S262SH02N3EG5	S262SH04N3EG5	2	●	●	●	10.5	1.7 (0.8)
1"	1-5/8" (41)	19.8 (17.1)	1,068,000	0	25 (1.7)	140 (60)	S262SH01N3FJ5	S262SH02N3FJ5	S262SH04N3FJ5	3	●	●	●	15.4	2.9 (1.3)
1-1/4"	1-5/8" (41)	34 (29)	1,941,100	0	25 (1.7)	140 (60)	S262SH01N3GJ7	S262SH02N3GJ7	S262SH04N3GJ7	4	●	●	●	15.4	4.0 (1.8)
1-1/2"	1-5/8" (41)	37 (32)	2,157,000	0	25 (1.7)	140 (60)	S262SH01N3HJ7	S262SH02N3HJ7	S262SH04N3HJ7	4	●	●	●	15.4	3.7 (1.7)
2"	3" (76)	84 (73)	4,529,300	0	15 (1.0)	140 (60)	-	S262SH02N3JK4	S262SH04N3JK4	5	●	●	●	28.2	13.5 (6.2)
2-1/2"	3" (76)	123 (106)	6,632,200	0	15 (1.0)	140 (60)	-	S262SH02N3KK4	S262SH04N3KK4	5	●	●	●	28.2	13.0 (5.9)
3"	3" (76)	132 (114)	7,118,000	0	15 (1.0)	140 (60)	-	S262SH02N3LK4	S262SH04N3LK4	5	●	●	●	28.2	12.5 (5.7)

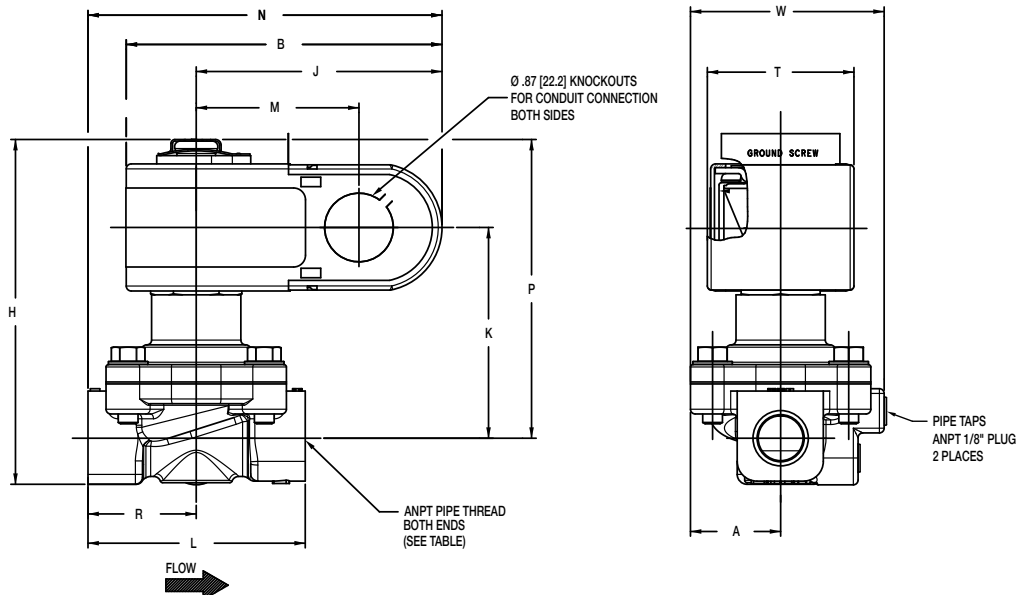
● = General Purpose Valve. ① 1" W.C. Drop @ 2" W.C. Inlet Pressure, 1,000 Btu/cu.ft. or more, 0.64 Specific Gravity Gas.

Dimensions inches (mm)

Const. Ref.		A	B	H	J	K	L	M	N	P	R	T	W	Mounting Position
1	in	1.14	4.00	4.36	3.11	2.67	2.75	2.06	4.48	3.78	1.37	1.86	2.45	Above Horizontal
	mm	29	101	111	79	68	70	52	114	96	35	47	62	Horizontal
2	in	1.14	4.00	4.78	3.11	2.86	3.31	2.06	4.77	3.97	1.66	1.86	2.33	Above Horizontal
	mm	29	101	122	79	73	84	52	121	101	42	47	59	Horizontal
3	in	1.9	4.6	6.1	3.5	1.8	4.01	2.5	5.8	3.2	2.3	2.2	3.8	Vertical & Upright
	mm	48	118	155	90	47	102	63	149	80	58	56	95	Upright
4	in	2.69	4.63	6.74	3.54	2.12	5	2.5	6.2	3.46	2.62	2.2	5.4	Vertical & Upright
	mm	68	118	171	90	54	127	63	156	88	66	56	137	Upright
5	in	3.82	5.8	10.4	4	3	7.8	3	8	5.3	3.9	3.3	7.9	Vertical & Upright
	mm	97	147	264	105	78	198	78	204	134	99	84	202	Upright

Vent Valve Requirements	
Manifold Line	Vent Valve
3/8" through 1-1/2"	3/4
2"	1
2-1/2" through 3"	1-1/4
3-1/2"	1-1/2
4" through 5"	2
5-1/2" through 6"	2-1/2
6-1/2" through 7-1/2"	3

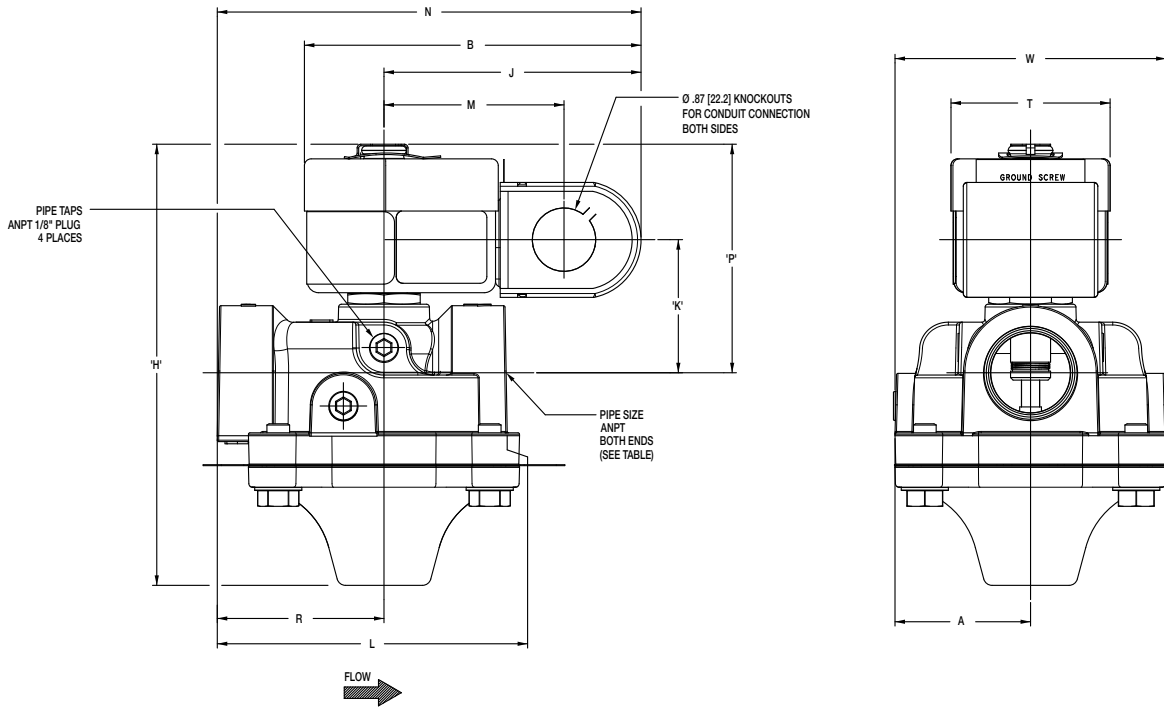
Const. Ref. 1, 2



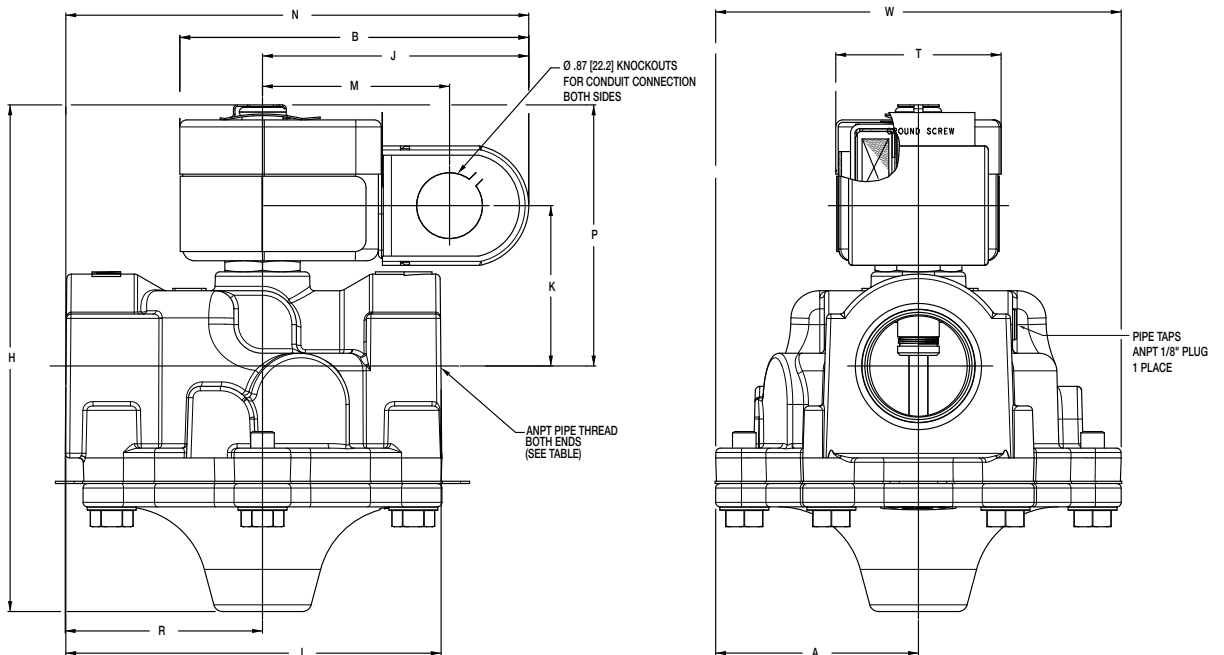
COMBUSTION

Dimensions inches (mm)

Const. Ref. 3



Const. Ref. 4



Dimensions inches (mm)

Const. Ref. 5

